

# ReachNXT™ 100-8t Quick Start Guide

This guide describes how to install the ReachNXT™ 100-8t port extender and configure the uplinked ExtremeXOS switch to detect and initialize the port extender.

## Safety Information

Only trained service personnel should perform service to Extreme Networks switches and their components. Trained service personnel have read all related installation manuals, have the technical training and experience necessary to be aware of the hazards to which they are exposed in performing a task, and are aware of measures to minimize the danger to themselves or other persons.

Before installing a ReachNXT 100-8t port extender into your network:

- Read the latest installation and safety information provided in the *ReachNXT 100-8t User Guide*.
- See Appendix A of the *ReachNXT 100-8t User Guide* for additional information regarding regulatory compliance certifications.



### NOTE

Die deutsche Version der für dieses Produkt von Extreme Networks relevanten Sicherheitshinweise finden sich im Abschnitt "Sicherheitshinweise" im ReachNXT 100-8t User Guide. Dieses Installationshandbuch steht auf der folgenden Webseite zum Download zur Verfügung: <http://www.extremenetworks.com/services/hardware-userguide.aspx>.

## Getting Documentation

You can download the *ReachNXT 100-8t User Guide* and other Extreme Networks product documentation from:

<http://www.extremenetworks.com/services/documentation.aspx>

## Requirements

Before you begin, make sure you have the following:

- ReachNXT 100-8t ExtremeXOS port extender
- ExtremeXOS switch to serve as the uplinked switch. The uplinked ExtremeXOS switch must be running ExtremeXOS version 11.2 or higher.
- Cable to connect the ReachNXT 100-8t to the uplinked ExtremeXOS switch

Depending on your installation, you may also have the following:

- Optional SFP module, if one will be used as the connector to the uplinked ExtremeXOS switch
- Optional magnet mounting kit, if you will mount the ReachNXT 100-8t in a fixed location

- Optional AC adapter, if the ReachNXT 100-8t will be powered using AC power  
If an SFP module will be used for the uplink connection to the ExtremeXOS switch, you must power the ReachNXT 100-8t using AC power.
- Kensington lock (not supplied) to secure the ReachNXT 100-8t to its location using its Kensington lock slot

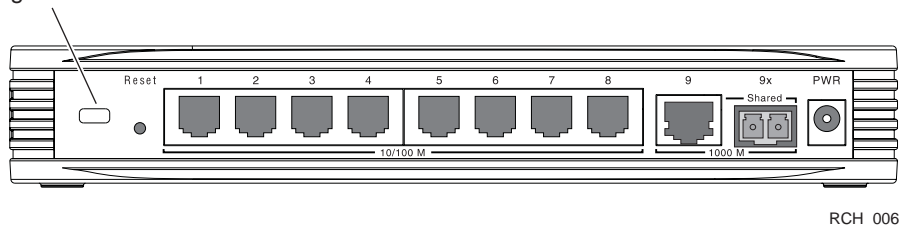
## Installing the ReachNXT 100-8t Hardware

To install the ReachNXT 100-8t port extender:

- 1 If an SFP module will be used for the connector to the uplinked ExtremeXOS switch, install the SFP module in the ReachNXT 100-8t (port 9x) according to the instructions supplied with the module.  
You must use the AC power adapter to power the ReachNXT 100-8t when using the SFP uplink.
- 2 Set the ReachNXT 100-8t in its installed location, such as on a table in a conference room.  
To use the optional magnet mounting kit to install the ReachNXT 100-8t in a fixed location, follow the procedure under [“Using the Magnet Mounting Kit”](#).
- 3 To secure the ReachNXT 100-8t in its location using a Kensington lock, follow the instructions provided with the Kensington lock.  
Insert the locking device into the Kensington lock slot on the ReachNXT 100-8t rear panel ([Figure 1](#)), then turn it in the locking direction.

**Figure 1: Kensington Lock Slot on the ReachNXT 100-8t Rear Panel**

Kensington lock slot



- 4 If the ReachNXT 100-8t will be powered using AC power, connect the optional AC adapter to the power socket on the ReachNXT 100-8t (labeled PWR), and plug the AC adapter into a wall outlet.

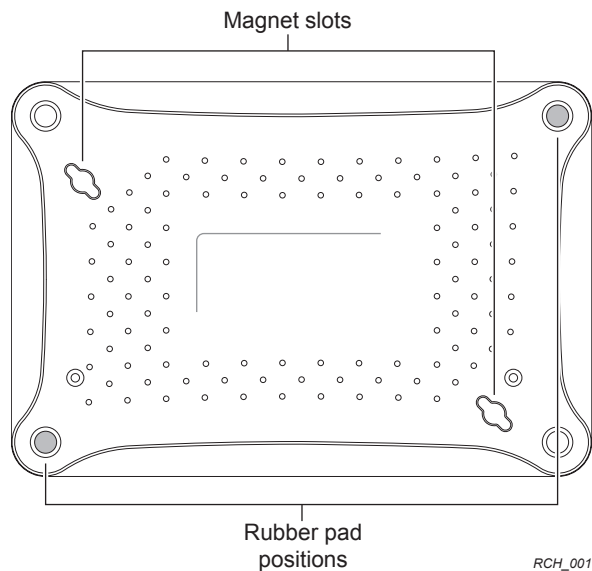
## Using the Magnet Mounting Kit

The optional magnet mounting kit allows you to mount the ReachNXT 100-8t in a fixed location using magnets attached to the switch. The magnet mounting kit contains the following items:

- Two magnets
- Two rubber stabilizing pads
- Mounting plate
- Screws and anchors

The magnets are attached to two slots on the bottom of the ReachNXT 100-8t unit ([Figure 1](#)). At the other two corners, rubber stabilizing pads prevent the unit from rocking.

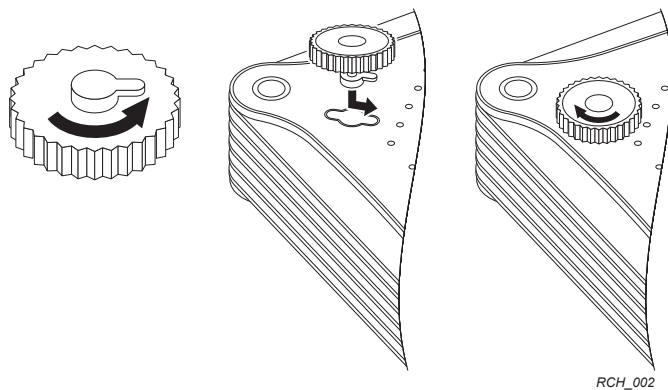
**Figure 2: Magnet Slots on the ReachNXT 100-8t Bottom Panel**



To use the magnet mounting kit:

- 1 If the ReachNXT 100-8t will be mounted on a non-metallic surface, attach the mounting plate to the installation location, using the supplied screws and anchors.
- 2 Attach the magnets to the bottom panel of the ReachNXT 100-8t, as follows:
  - a On each magnet, twist the mounting tab counter-clockwise two full turns (see [Figure 3](#)).
  - a Insert the tab on the magnet into a magnet slot on the ReachNXT 100-8t, and slide the magnet in the direction of the narrow end of the tab.
  - b Turn the magnet clockwise until it is finger tight to secure it to the ReachNXT 100-8t.

**Figure 3: Attaching Magnets**



- 3 After the magnets are installed, attach a rubber stabilizing pad at each corner where a magnet is not installed.
- 4 Set the ReachNXT 100-8t in the installation location, with the magnets touching either the metallic surface or the mounting plate.

To remove the ReachNXT 100-8t from its installed location, **slide** the unit off the plate or other metallic surface. **Do not pull** the unit away from the plate.

# Configuring the ExtremeXOS Switch Software

To initialize the ReachNXT 100-8t, perform the following steps on the uplinked ExtremeXOS switch:

- 1 If the ReachNXT 100-8t will be powered using Power over Ethernet (PoE) from the uplinked ExtremeXOS switch, configure PoE on the uplinked switch, using the following commands:

- **enable inline-power** (enabled by default)
- **show inline-power**
- **configure inline-power**

For more information about configuring PoE, refer to the *ExtremeXOS Concepts Guide*.

- 2 Enable LLDP for the port to which the ReachNXT 100-8t will be connected. Use the following command to enable LLDP:

```
enable lldp ports [all | <port_list>]
```

- 3 Connect the ReachNXT 100-8t uplink port (port 9 or 9x) to the uplinked ExtremeXOS switch.

This step initializes the ReachNXT 100-8t. When initialization is complete, and the uplinked ExtremeXOS switch is detected, the MGMT LED on the ReachNXT 100-8t lights solid green.

- 4 To verify that the uplinked ExtremeXOS switch detects the ReachNXT 100-8t, enter the following command on the uplinked switch:

```
show lldp neighbors detailed
```

For an LLDP neighbor that is a ReachNXT 100-8t, the command output is similar to the following:

```
# show lldp neighbors detailed
-----
LLDP Port 4:1 detected 1 neighbor
Neighbor: 00:04:96:1F:A8:00/9, age 29 seconds
- Chassis ID type: MAC address (4)
  Chassis ID      : 00:04:96:1F:A8:00
- Port ID type: ifName (5)
  Port ID        : "9"
- Time To Live: 120 seconds
- System Name: "Reach 100-8t 800284-00-01 0840G-00560"
- System Description: "Reach 100-8t 1.6.1.6"
```



## NOTE

To function, the ReachNXT 100-8t must be connected to an ExtremeXOS switch. The ReachNXT 100-8t only operates when it detects an ExtremeXOS switch connected to the uplink port via LLDP. LLDP must be enabled on the ExtremeXOS switch to which the ReachNXT 100-8t is connected. The ReachNXT 100-8t disables its user ports if no ExtremeXOS switch is detected, or the uplink port is down. The user ports are re-enabled when the uplink port is up, and an ExtremeXOS switch is detected.