

Altitude 350-2 Ceiling Mount Bracket Installation Note

This installation note provides necessary safety information and describes how to install an Extreme Networks® Altitude 350-2 unit on the ceiling using the Altitude ceiling mount bracket.

One ceiling mount bracket assembly includes the following components (see [Figure 2 on page 2](#)):

- One bracket that attaches to the Altitude 350-2 unit
- Two spacers
- Two T-bar clips that attach the bracket to a ceiling tile frame
- One snap rivet that secures the Altitude 350-2 unit in the bracket (not shown)

The Altitude 350-2 ceiling mount bracket package contains five complete kits of bracket assembly components.



NOTE

Two Altitude 350-2 models are available: the integrated model with interior omni-directional antennas and the detachable model that provides RP-SMA connectors for adjustable external antennas. The ceiling mount bracket is intended for use only with the model that has detachable external antennas. For the integrated model, Extreme Networks recommends wall mounting.

Safety

Only trained service personnel should perform service to Extreme Networks switches and their components. Trained service personnel have read all related installation manuals, have the technical training and experience necessary to be aware of the hazards to which they are exposed in performing a task, and are aware of measures to minimize the danger to themselves or other persons.

Before installing an Altitude 350-2 ceiling mount bracket and mounting the Altitude 350-2 on the ceiling, read the latest information about installation, safety, and regulatory compliance in the manual on the technical documentation CD that was shipped with your Altitude 350-2 unit.

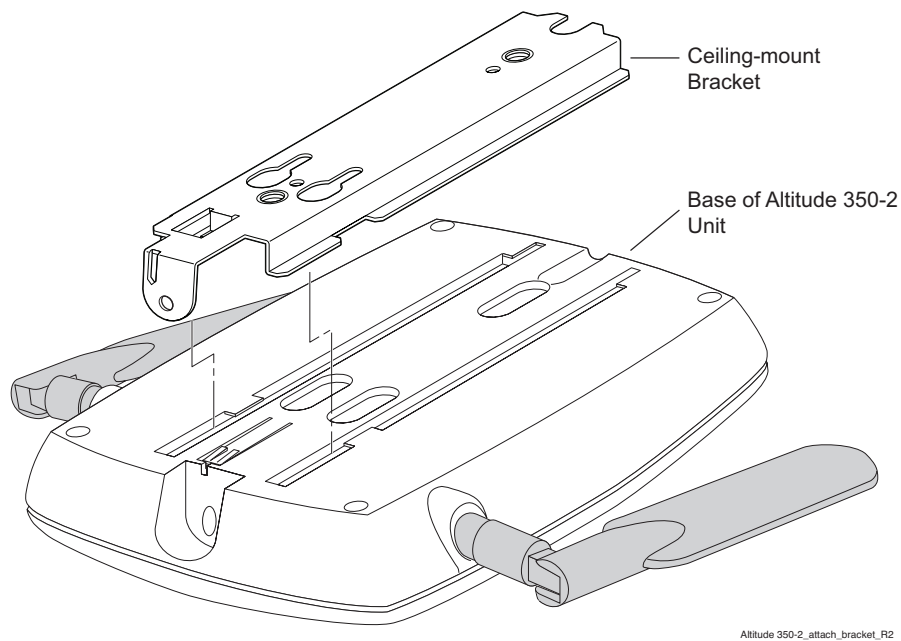
Pre-installation Requirements

You need the following tool to install the ceiling bracket:

- Flat-blade screwdriver
- #1 Phillips screwdriver

Before you attach the bracket to the ceiling, try out the fit of the Altitude 350-2 unit against the bracket to learn how the bracket flanges fit into the slots on the back of the Altitude 350-2 unit (see [Figure 1](#)).

Figure 1: Orientation of Bracket Against Altitude 350-2 Unit

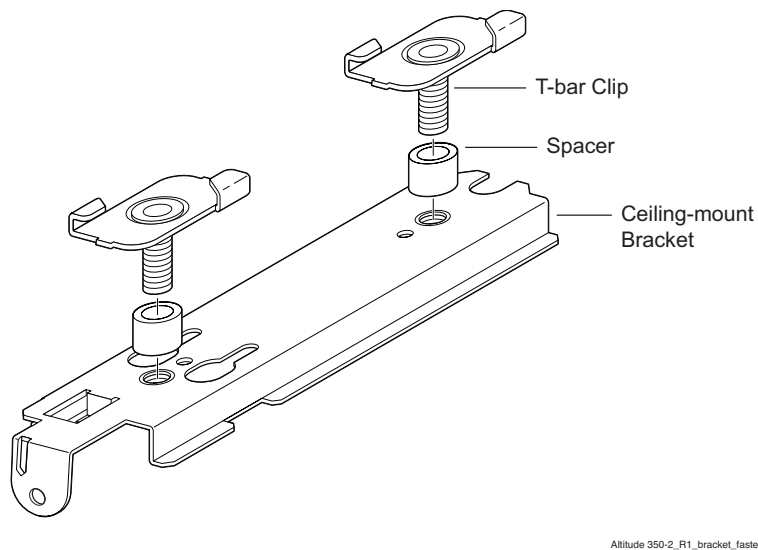


Attaching the Bracket to the Ceiling

To assemble and attach the ceiling mount bracket:

- 1 Thread the T-bar clips through the spacers and insert one in each threaded hole on the bracket (Figure 2).

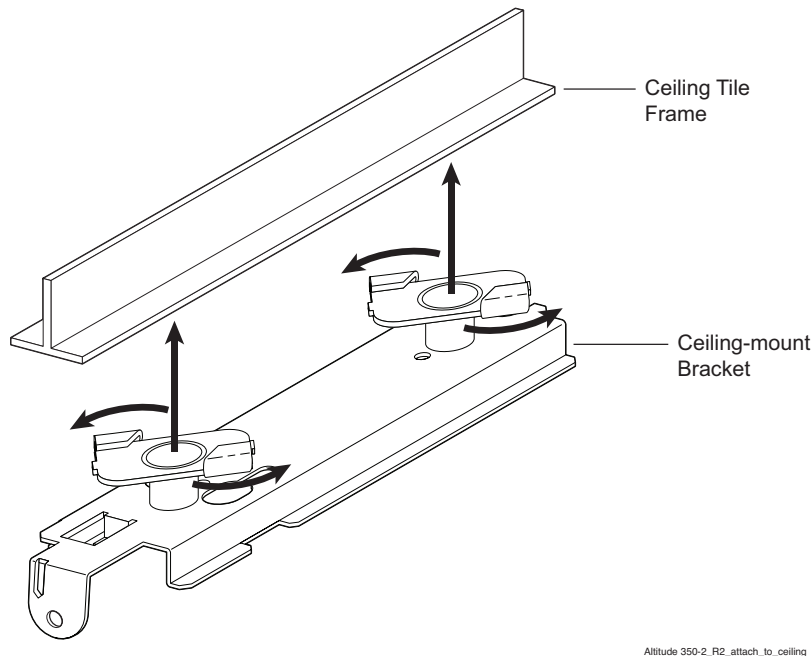
Figure 2: Attaching the T-bar Clips



- 2 Tighten the T-bar clips until they are just finger-tight.

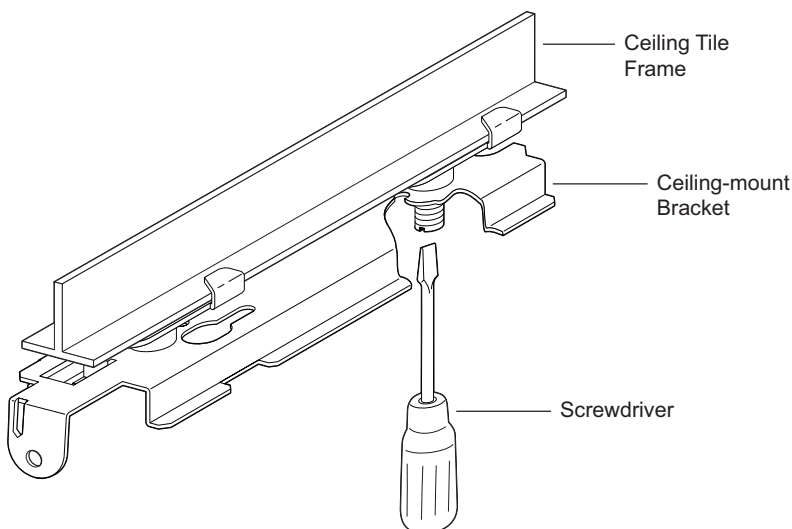
- 3 Rotate the T-bar clips so that they are parallel to each other and at a 45-degree angle to the bracket (Figure 3).

Figure 3: Attaching the Bracket to the Ceiling Tile Frame



- 4 Identify a ceiling tile frame to which you will attach the Altitude 350-2 unit.
- 5 Set the ceiling mount bracket under the ceiling tile frame with the T-bar clips against the frame. Rotate the clips to grip the ceiling tile frame (Figure 3).
- 6 On the underside of the bracket, use a flat-blade screwdriver in the threaded shaft of each T-bar clip to tighten the clip and secure the bracket to the ceiling tile frame (Figure 4). Do not over-tighten the clips.

Figure 4: Tightening the T-bar Clips

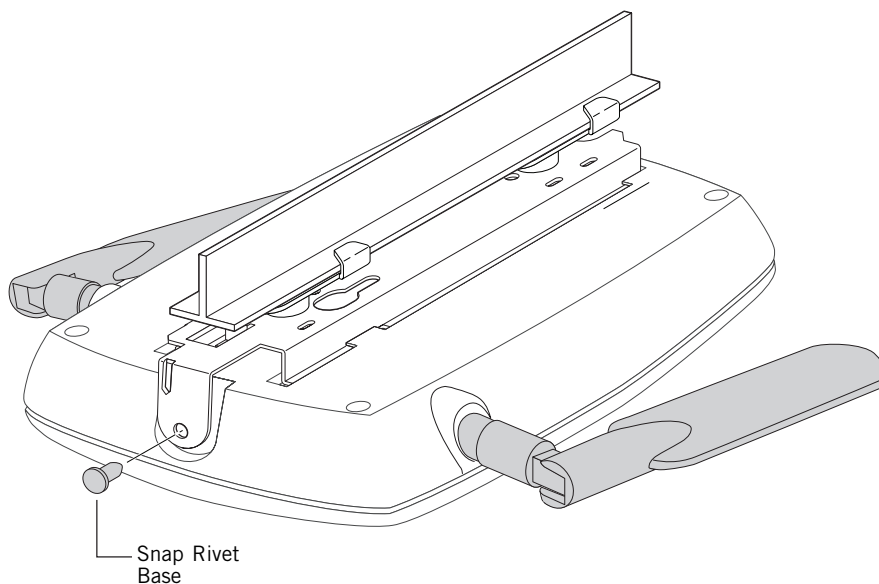


Attaching an Altitude 350-2 to a Ceiling Bracket

To attach the Altitude 350-2 unit to the mounted ceiling bracket:

- 1 Align the flanges on the ceiling mount bracket with the mounting slots on the Altitude 350-2 unit and push the Altitude 350-2 unit against the bracket (see [Figure 1 on page 2](#)).
- 2 Slide the unit toward the retainer end of the bracket until it clicks into place against the end of the bracket.
- 3 Install the snap rivet:
 - a Snap the threaded end off the base of the rivet.
 - b Push the base of the rivet through the bracket and into the Altitude 35-2 housing.
 - c Using a screwdriver, insert and tighten the threaded end to fasten the rivet and secure the unit in the bracket (see [Figure 5](#)).

Figure 5: Inserting the Snap Rivet Base



NOTE

Be sure to insert the snap rivet to secure the unit in the bracket. The rivet is necessary to prevent the unit from being easily dislodged from the bracket.

You will need a screwdriver to remove the rivet.

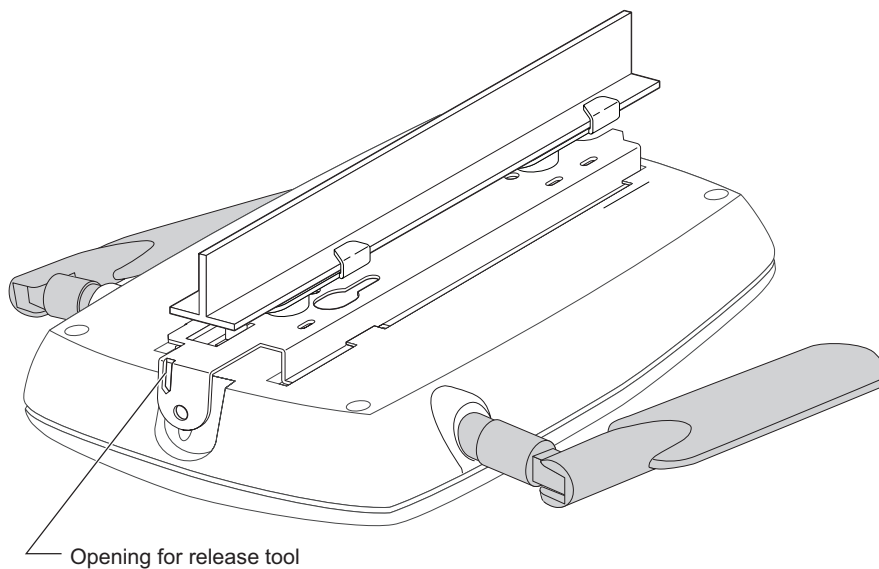
After the Altitude 350-2 is mounted in the ceiling bracket, adjust the external antennas to the desired position. Extreme Networks recommends that the external antennas be turned into a vertical position for optimal signal strength.

Removing an Altitude 350-2 Unit from the Bracket

The base of the Altitude 350-2 unit has a spring security clip that prevents it from sliding out of the mounting bracket. To remove the unit from the mounting bracket:

- 1 Using a Phillips screwdriver, remove the snap rivet from the end of the bracket.
- 2 Insert an Allen key or similar small tool into the release hole at the end of the bracket (Figure 6) and slide the unit away from the end of the bracket.

Figure 6: Releasing an Altitude 350-2 Unit from the Mounting Bracket



Altitude 350-2_removal_from_bracket

